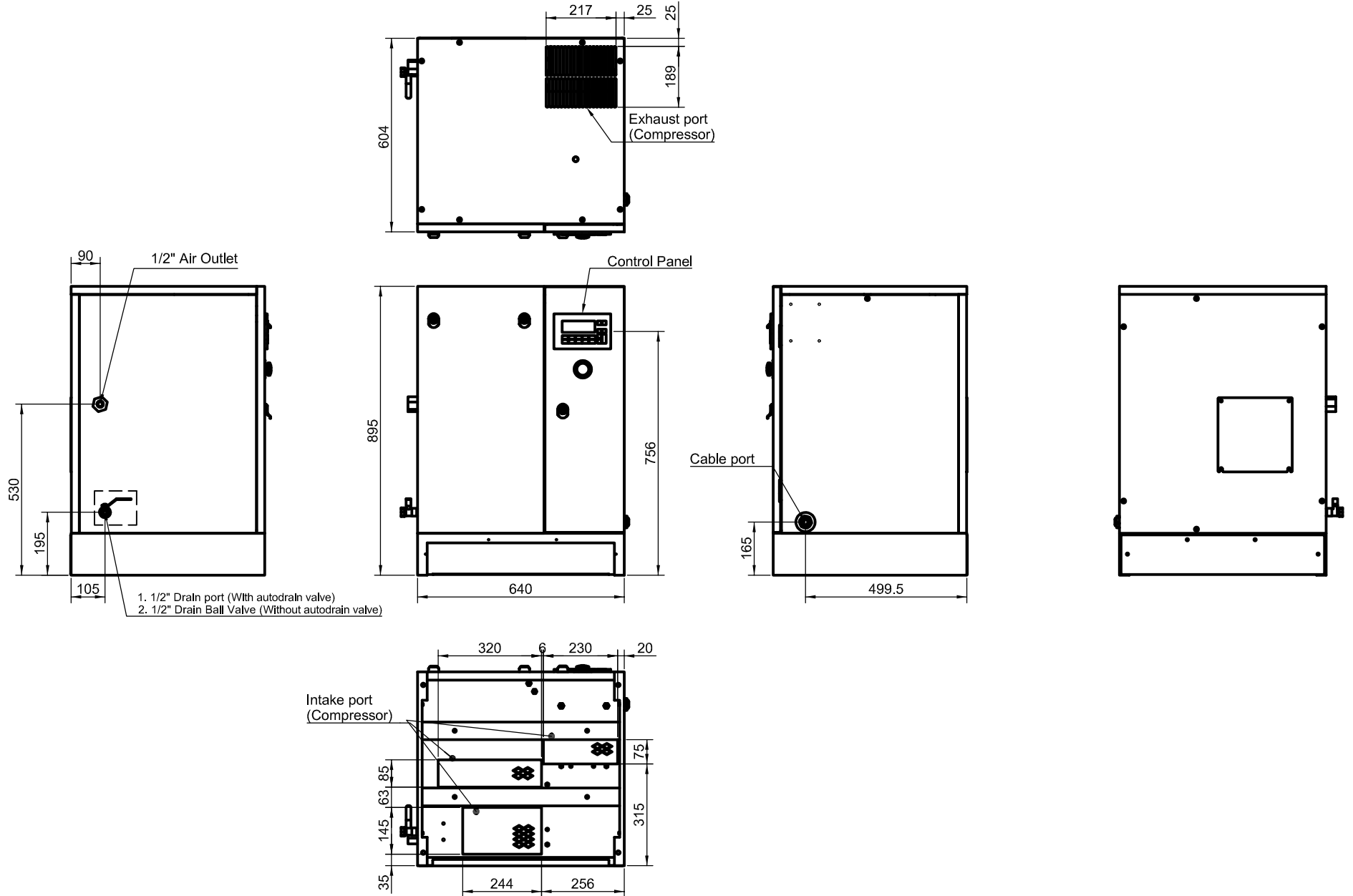


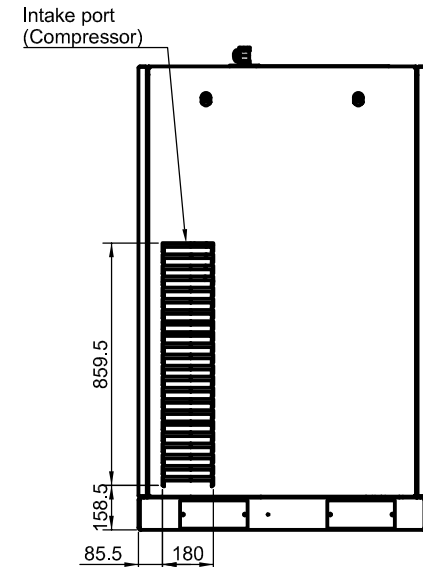
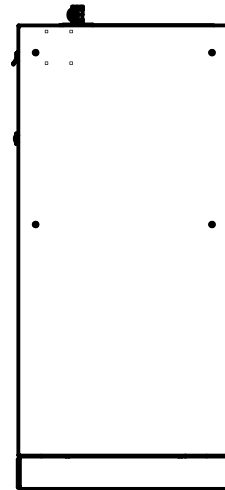
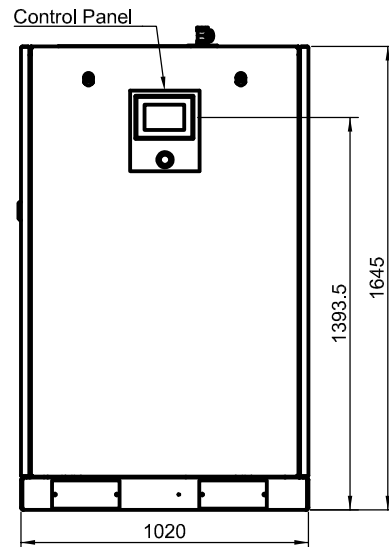
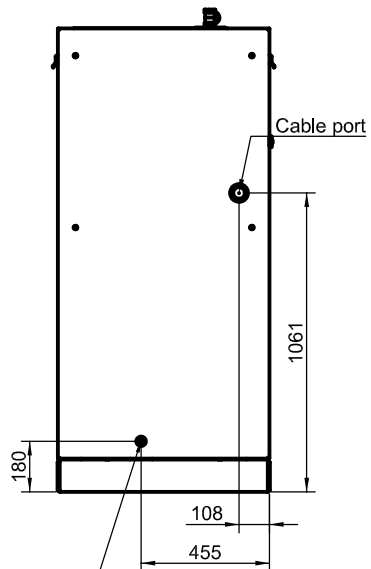
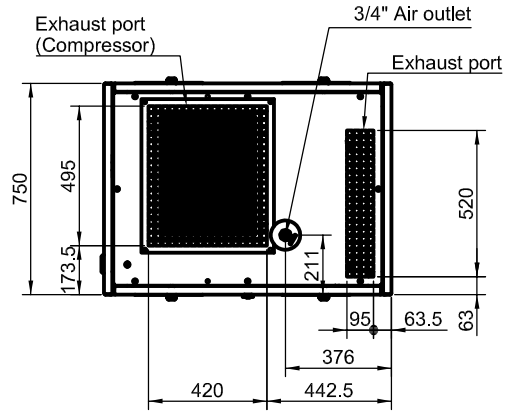


ES04

Outline Drawing

Doc No.
ME-C-R10-0000228511
Rev.A
Date:2018.07.31





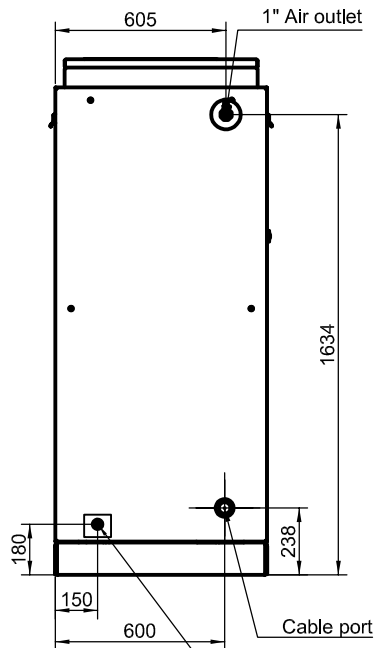
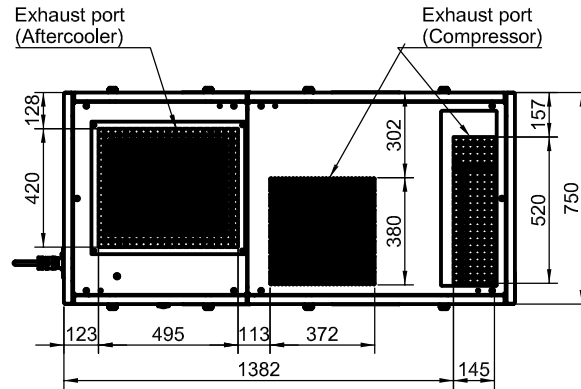
1. 1/2" Drain port (With autodrain valve)
2. 1/2" Drain Ball Valve (Without autodrain valve)



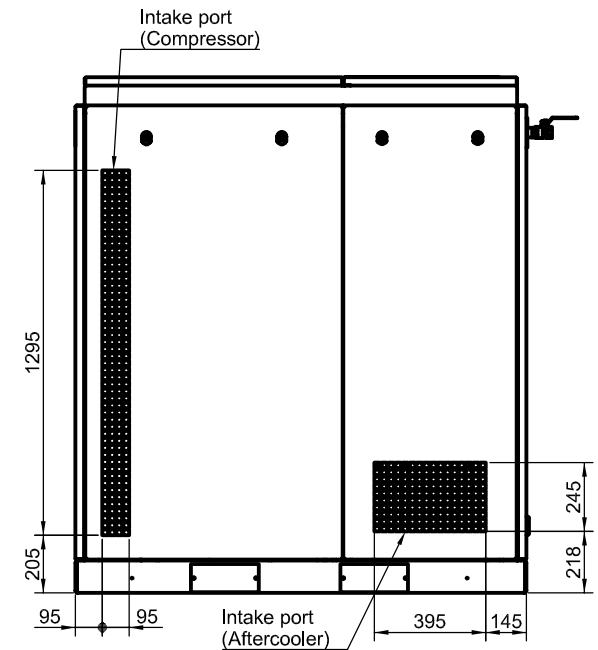
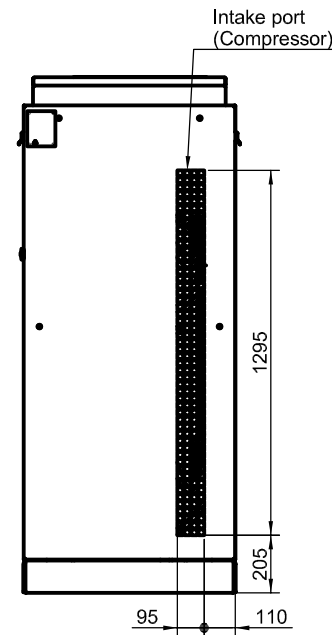
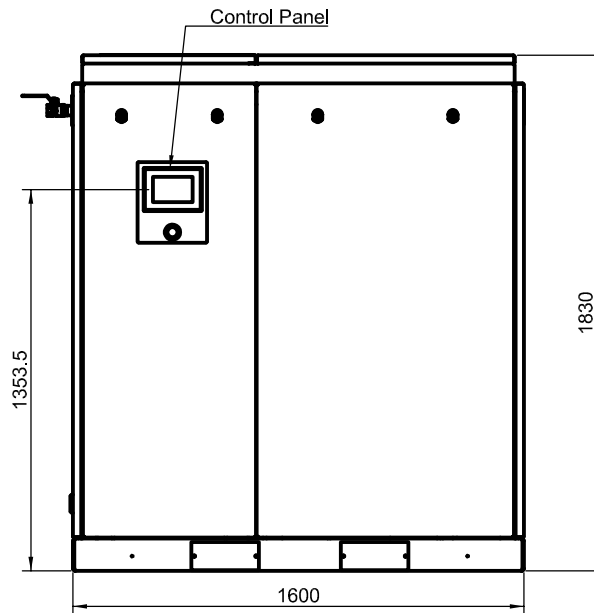
ES11~15

Outline Drawing

Doc No.
ME-C-R10-0000228513
Rev.A
Date:2018.07.31



1. 1/2" Drain port (With autodrain valve)
2. 1/2" Drain Ball Valve (Without autodrain valve)



unit : mm